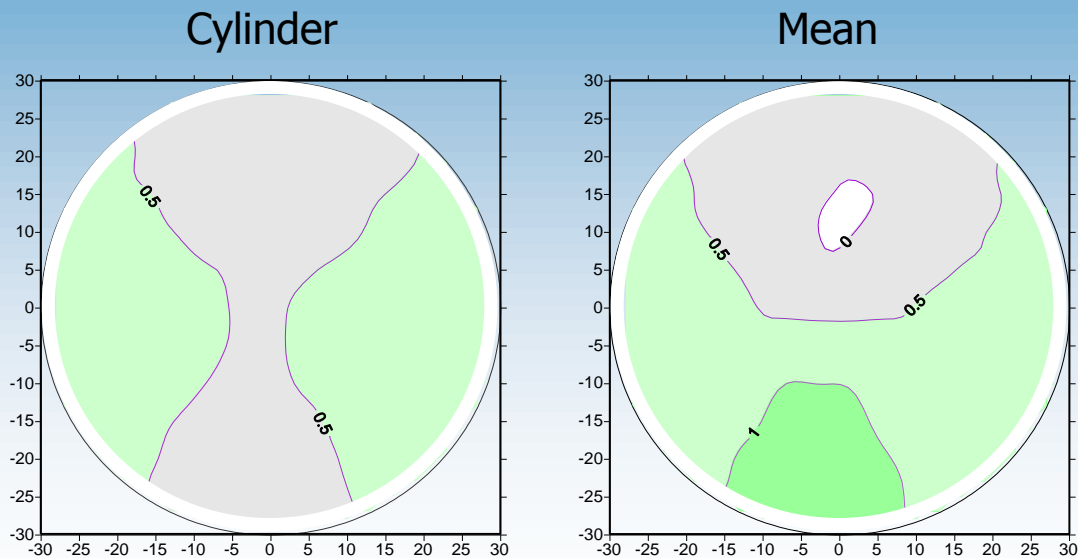


Crossbows **ComputerEyes**



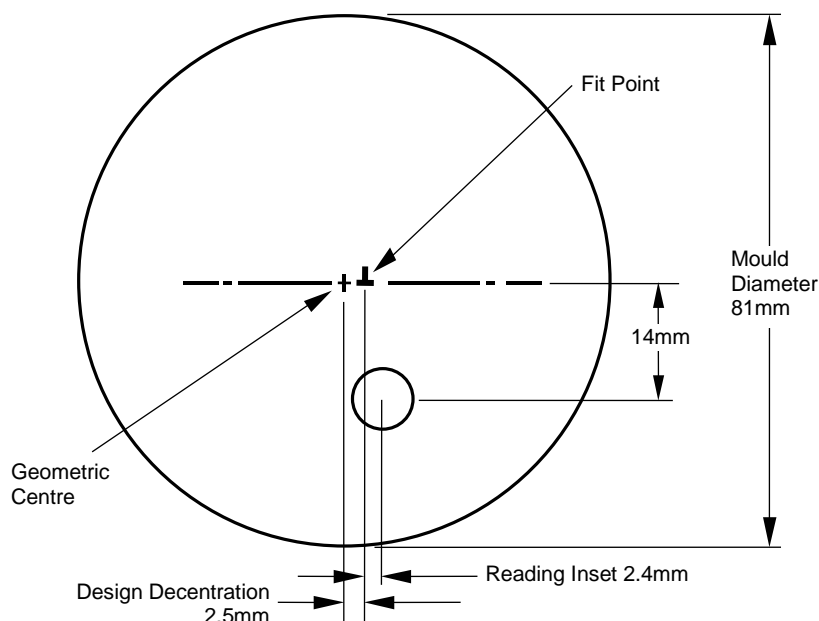
Crossbows **ComputerEyes** features of design

- A superior design of office progressive lens
- Low distortion, soft design
- 4 Dynamic powers available
- Moulds in 1.498 and 1.56 indices

The **ComputerEyes** design is a lens designed primarily for use in an office-type environment. It is not a traditional progressive design, but rather is an alternative to a reading lens, providing clear vision for reading and intermediate viewing. The wide range of dynamic powers allows the ideal choice to be made for all reading additions up to 3.00D and also allows the user to benefit from fully corrected reading and intermediate vision and maximised distance vision. The design reduces eye and neck strain associated with long term use of computers.

CROSSBOWS **COMPUTER EYES** MOULDS

1.498 AND 1.56 INDEX



Note:

1. Ø81 mould is designed to produce Ø75/81mm Progressive lenses when used with gaskets.
2. Other diameters and specific edge configurations are possible, subject to additional charges.
3. Moulds with a centred design are also available for the manufacture of finished progressive lenses, subject to additional charges.

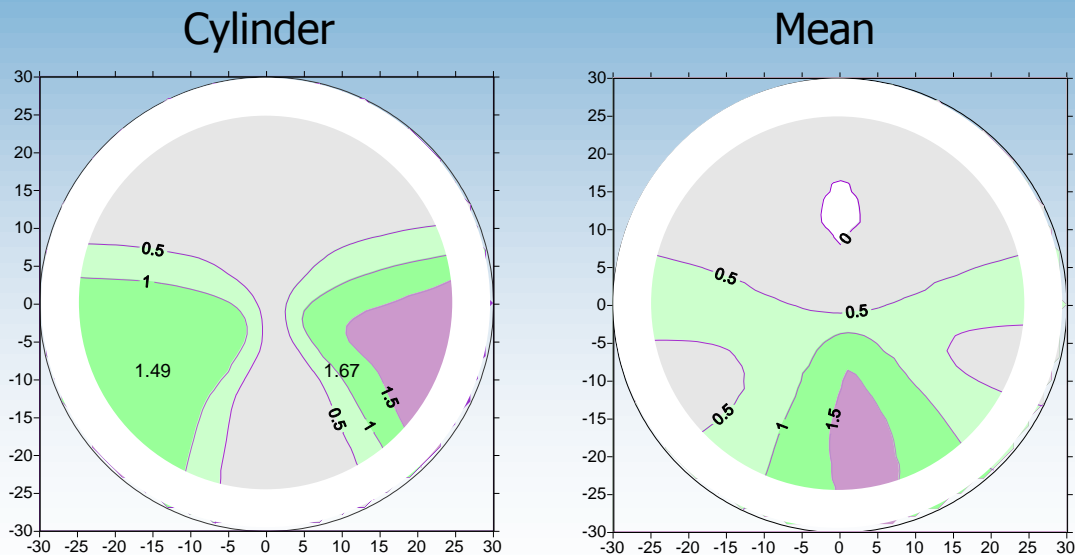
Base Curve and Dynamic Power Range for Ø81mm moulds:

Nominal Base	True Base n=1.530 (in reading reference circle)	Dynamic Power			
		-0.75	-1.25	-1.75	-2.25
		Addition range			
		0.75-1.25	1.25-1.75	1.75-2.25	2.25-3.00
2.50	2.66	•	•	•	•
5.25	5.32	•	•	•	•
8.00	7.98	•	•	•	•

Note:

1. Dynamic power is the total drop in power from reading to distance area.
2. Lens is machined to reading prescription (Distance prescription + addition power).
3. Lens is verified in reading reference circle only.
4. Dynamic power is selected from addition.

Crossbows **Petite Junior**



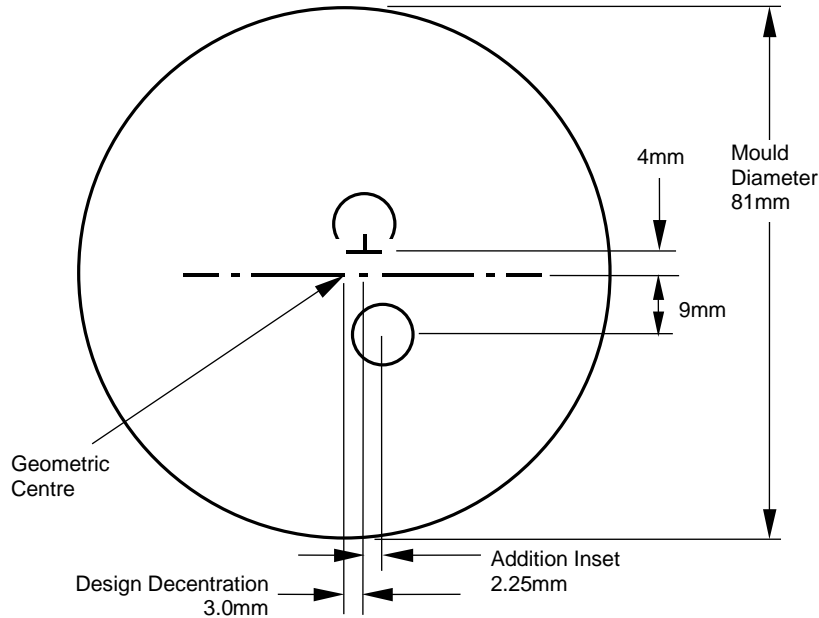
Crossbows **Petite Junior** features of design

- Short corridor (13mm to full addition power)
- Minimum fitting height of 14mm
- Individual designs for left and right eyes
- Moulds in 1.498, 1.56 and 1.60 indices

The **Petite Junior** progressive is designed specifically to help reduce the onset of myopia in young people between the ages of 8 and 16 years. The design offers a large stable reading area combined with excellent peripheral clarity in the distance zone.

CROSSBOWS **PETITE JUNIOR** MOULDS

1.498, 1.56 AND 1.60 INDEX



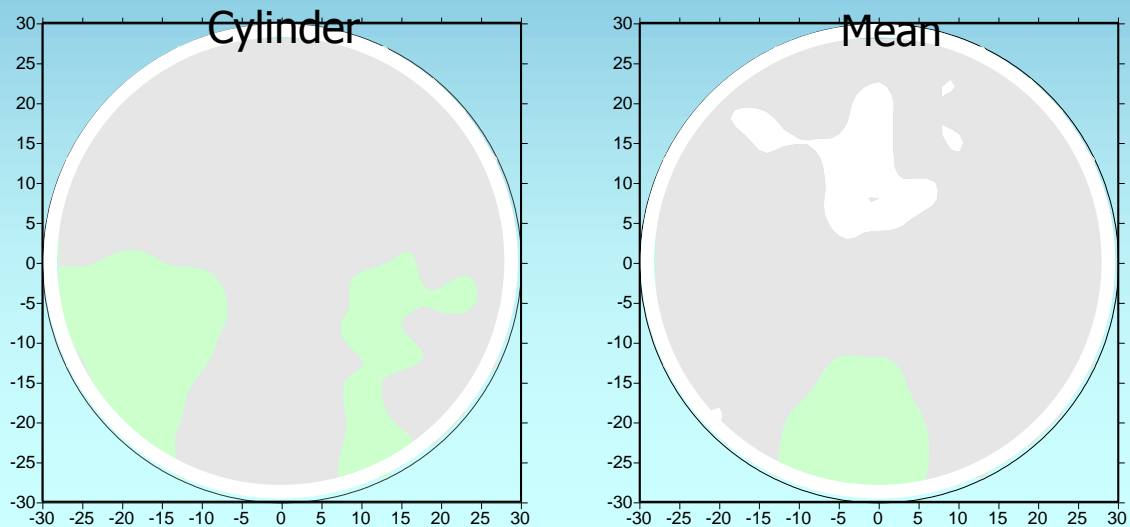
Base Curve and Addition Range for Ø81mm moulds:

Nom Base	True Base n=1.530	Additions			
		0.50	1.00	1.50	1.75
2.00	2.13	•	•	•	•

Note:

1. Ø81 mould is designed to produce Ø75/81mm Progressive lenses when used with gaskets.
2. Other Base Curves and Additions can be produced if required.
3. Other diameters and specific edge configurations are possible, subject to additional charges.
4. Moulds with a centred design are also available for the manufacture of finished progressive lenses, subject to additional charges.

Crossbows Relax



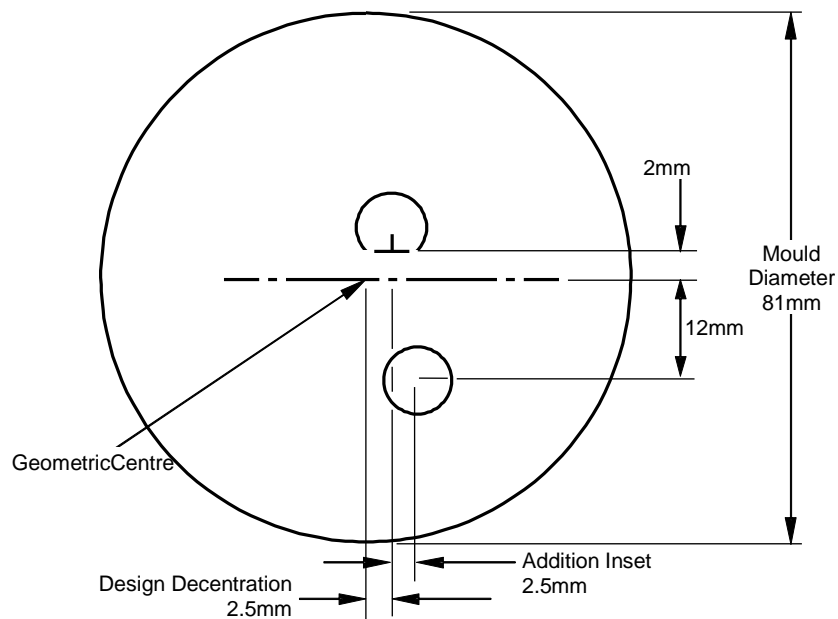
Features of Crossbows **Relax** design

- Very soft design with very low distortion
- Distortion free distance area and corridor
- Individual designs for left and right eyes
- 14mm corridor length to full addition power
- Moulds in 1.498, 1.56 and 1.60 indices

The **Relax** design is a progressive design for people who are not presbyopic. It avoids the patients' eyes becoming tired and strained if they spend a large portion of the day focusing at the same distance, e.g. using a computer. The design matches the patient's distance prescription and gives some help to the eyes as they focus on intermediate and near vision. It is available in two forms; Relax I has an addition of 0.66D, Relax II has an addition of 1.00D.

CROSSBOWS **RELAX** MOULDS

1.498, 1.56 AND 1.60 INDEX



Base Curve and Addition Range for Ø81mm moulds:

Nominal Base	True Base n=1.530	Design	
		Relax I	Relax II
2.25	1.94	•	•
4.25	4.56	•	•
5.50	5.79	•	•

Note:

1. Ø81 mould is designed to produce Ø75/80mm Progressive lenses when used with gaskets.
2. Other diameters are possible, subject to tooling charges